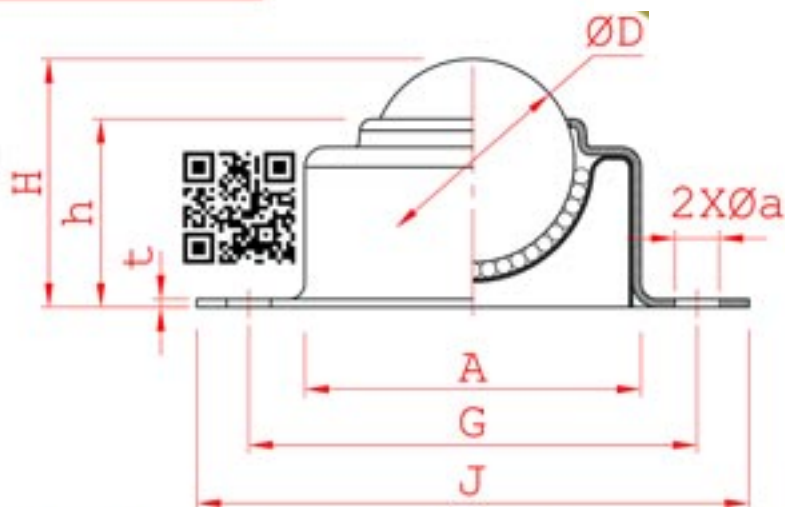


# Ball Transfer units Type " Base fixing units "

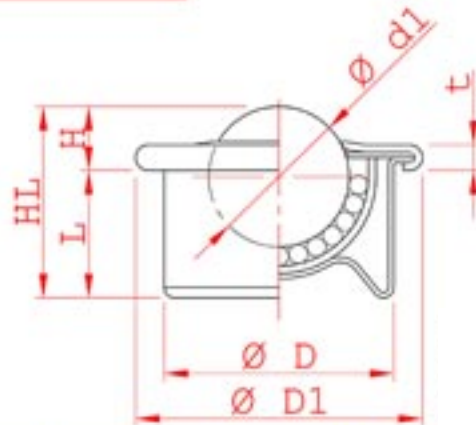
## Model " BTF "



Item	Model	Material	ØD (MainBall)	A	G	J	t	h	H	Øa	Load Capacity	Max Load	Weight
1	BTF-15A	Steel Zinc	15.875	30	40	50	0.8	16	21	4	10 kgs	15 kgs	38g
2	BTF-15B	SUS304									10 kgs	15 kgs	40g
3	BTF-15C	Nylon									7 kgs	10 kgs	26g
4	BTF-18A	Steel Zinc	18	30	44	53	1	17	23	4	20 kgs	25 kgs	54g
5	BTF-18B	SUS304									20 kgs	25 kgs	56g
6	BTF-18C	Nylon									12 kgs	16 kgs	38g
7	BTF-25A	Steel Zinc	25.4	42	56	70	1.2	23	31	5.2	25 kgs	30 kgs	140g
8	BTF-25B	SUS304									25 kgs	30 kgs	132g
9	BTF-25C	Nylon									15 kgs	18 kgs	86g
10	BTF-30A	Steel Zinc	30	52	70	86	1.2	30	40	7	40 kgs	50 kgs	216g
11	BTF-30B	SUS304									40 kgs	50 kgs	226g
12	BTF-30C	Nylon									25 kgs	30 kgs	126g

# Ball Transfer units Type " Press in Hole "

## Model " BTP "

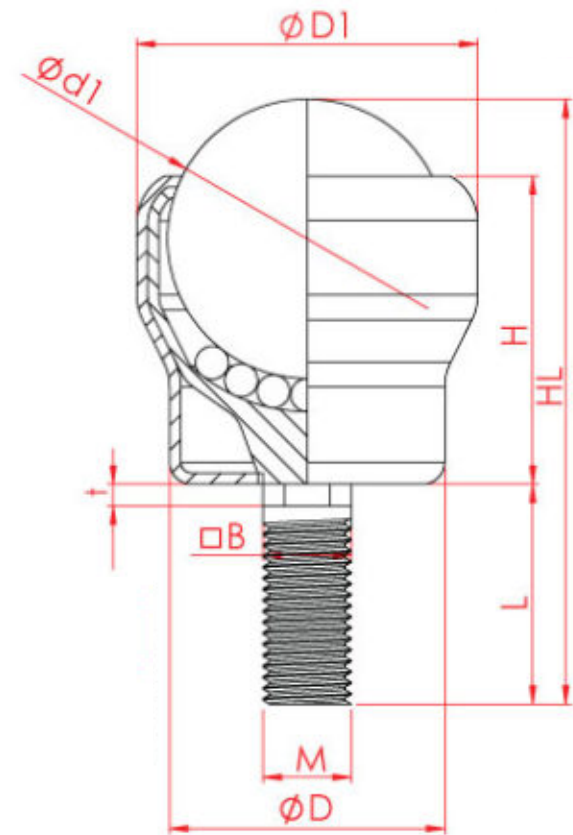


Item	Model	Material	Φ d1 (MainBall)	ΦD	ΦD1	t	L	H	HL	Load Capacity	Max Load	Weight
1	BTP-8HA	Steel Zinc	8	13	16	2.5	6.2	3.8	10	3 kgs	5 kgs	6 g
2	BTP-8HB	SUS304								3 kgs	5 kgs	7 g
3	BTP-8HC	Nylon								2 kgs	3 kgs	5 g
4	BTP-15HA	Steel Zinc	15.875	24	32	3.5	10.2	10	20.2	15 kgs	25 kgs	42 g
5	BTP-15HB	SUS304								15 kgs	25 kgs	46 g
6	BTP-15HC	Nylon								8 kgs	12 kgs	28 g
7	BTP-22HA	Steel Zinc	22	35.8	46	3	16	12	28	40 kgs	55 kgs	112 g
8	BTP-22HB	SUS304								40 kgs	55 kgs	116 g
9	BTP-22HC	Nylon								25 kgs	30 kgs	74 g
10	BTP-30HA	Steel Zinc	30	44.2	55	3.5	22	13.5	35.5	70 kgs	85 kgs	238 g
11	BTP-30HB	SUS304								70 kgs	85 kgs	245 g
12	BTP-30HC	Nylon								35 kgs	45 kgs	168 g

Unit : mm

# Ball Transfer Units ลูกบอลลำเลียง “แบบเกลียวตัวผู้”

## Model " CY-\_\_\_D "

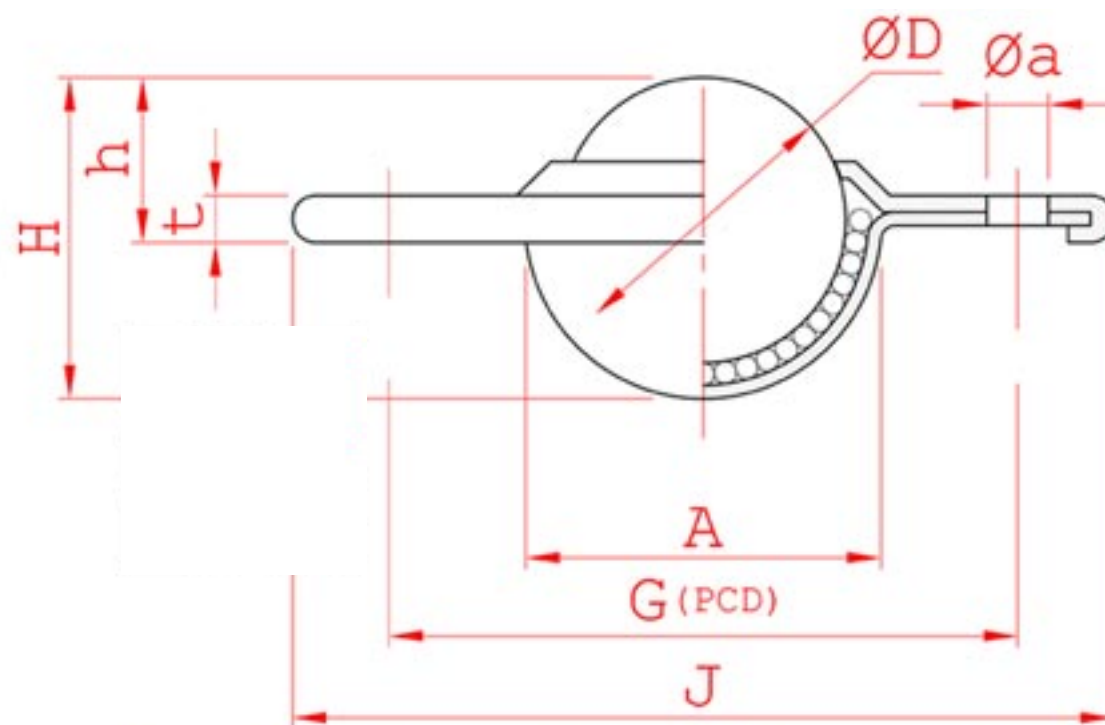


Item	Model	Material	$\phi d1$ (MainBall)	$\phi D$	$\phi D1$	t	L	H	HL	B □	M	Load Capacity	Max Load	Weight
1	CY-19DA	Steel Zinc	19.05	16	23	2	14	22	41	6	M6	15 kgs	20 kgs	48 g
2	CY-19DB	SUS304										15 kgs	20 kgs	48 g
3	CY-19DC	Nylon										8 kgs	15 kgs	32 g
4	CY-25DA	Steel Zinc	25.4	22	31	3	23	26	57	8	M8	20 kgs	30 kgs	114 g
5	CY-25DB	SUS304										20 kgs	30 kgs	114 g
6	CY-25DC	Nylon										15 kgs	20 kgs	60 g

Unit : mm

# Ball Transfer units Type " Flang fixing units "

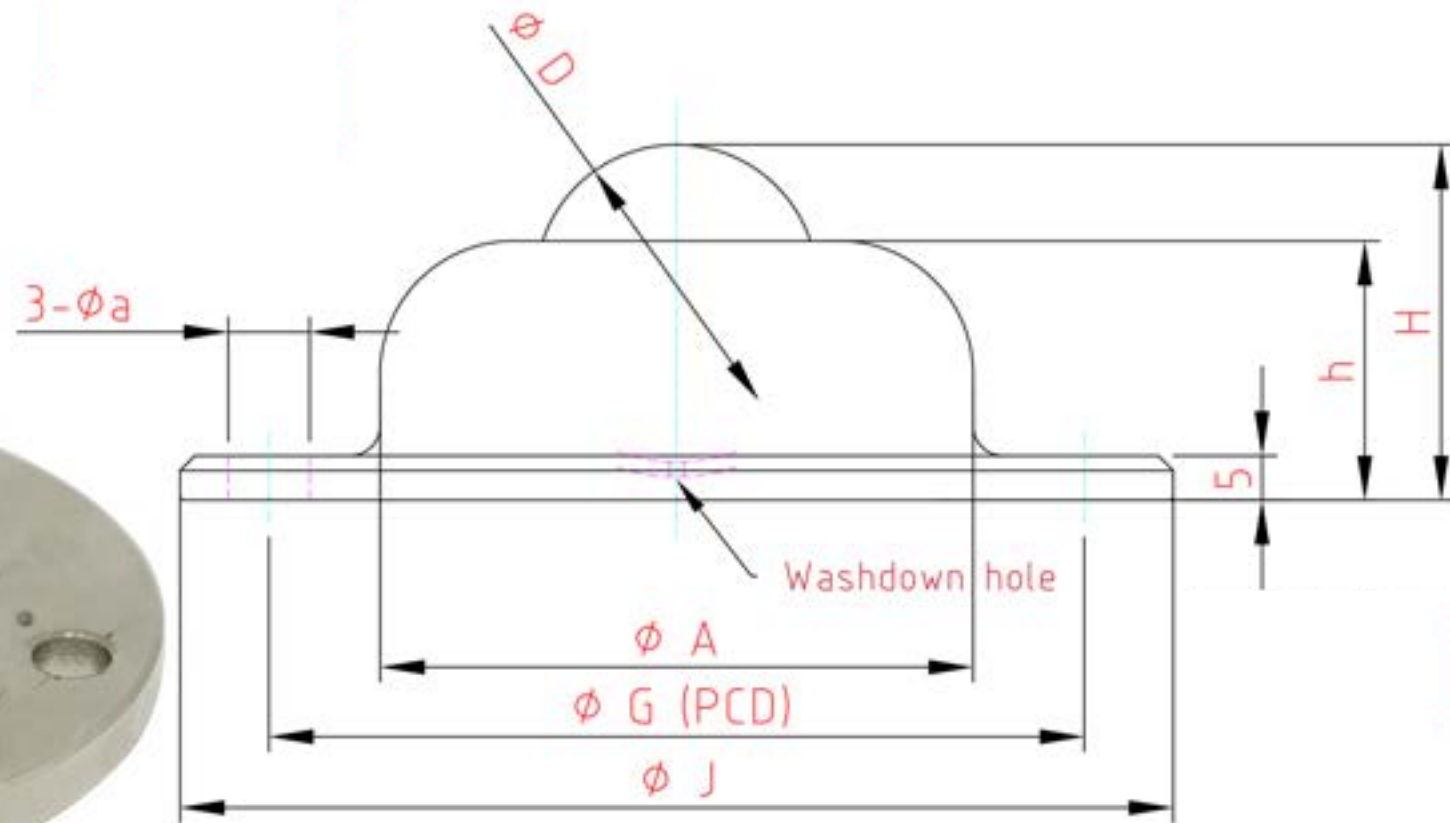
## Model " UFO "



Item	Model	Material	ΦD (MainBall)	A	G (PCD)	J	t	h	H	Φa	Load Capacity	Max Load	Weight
1	UFO-16A	Steel Zinc	15.875	24	31	45	3	10	20	2x4.5	10 kgs	15 kgs	44g
2	UFO-16B	SUS304									10 kgs	15 kgs	46g
3	UFO-16C	Nylon									7 kgs	10 kgs	30g
4	UFO-25A	Steel Zinc	25.4	40	55	72	3.2	13	30	2x5.0	20 kgs	25 kgs	146g
5	UFO-25B	SUS304									20 kgs	25 kgs	152g
6	UFO-25C	Nylon									12 kgs	16 kgs	126g
7	UFO-30A	Steel Zinc	30	47	58	72.5	3.4	16	37	3x5.0	35 kgs	45 kgs	224g
8	UFO-30B	SUS304									35 kgs	45 kgs	228g
9	UFO-30C	Nylon									20 kgs	28 kgs	160g
10	UFO-38A	Steel Zinc	38	55	75	89	4	19	45	3x5.0	40 kgs	55 kgs	430g
11	UFO-38B	SUS304									40 kgs	55 kgs	446g
12	UFO-38C	Nylon									25 kgs	35 kgs	296g

# Ball Transfer Units ลูกบอลลำเลียง

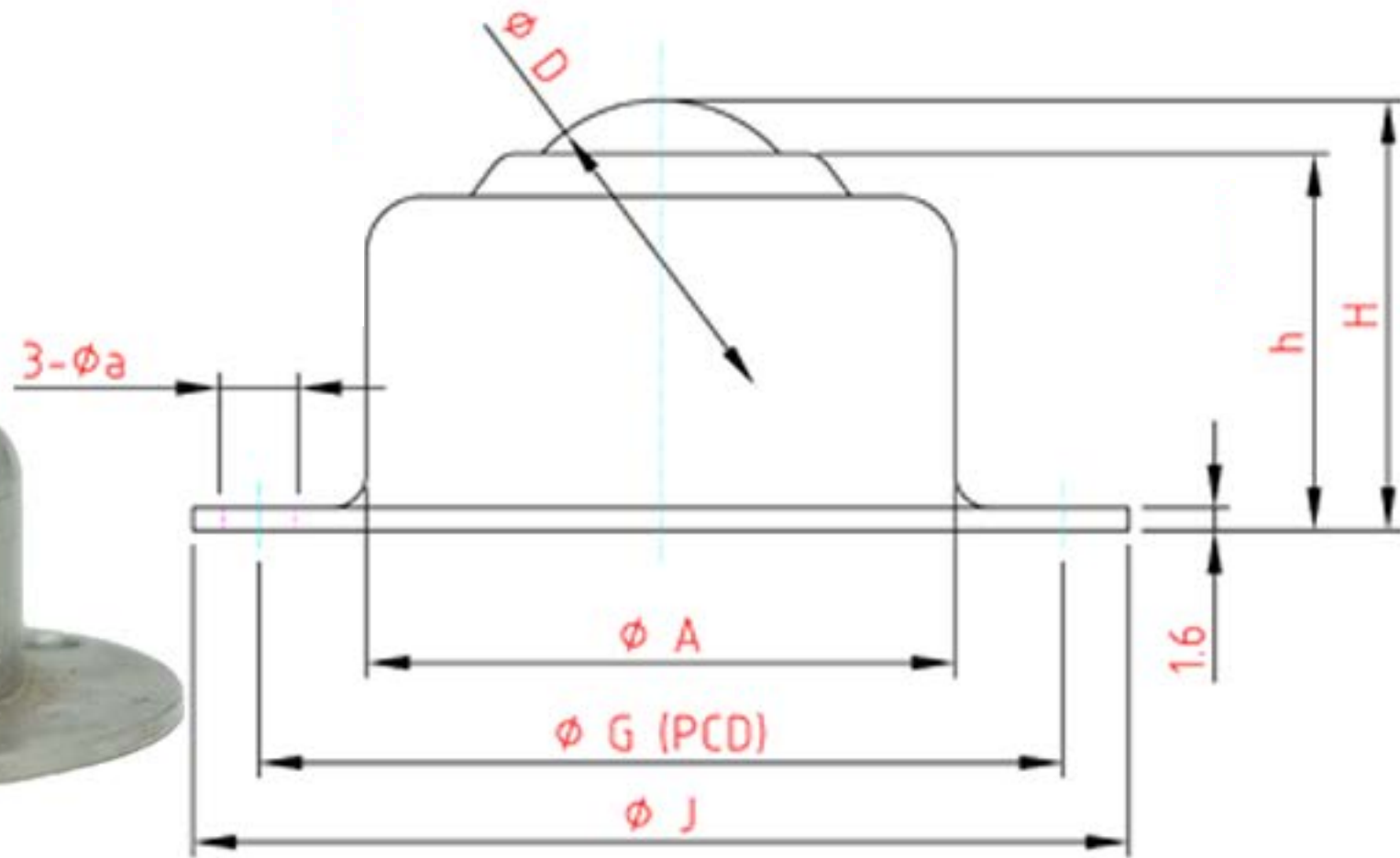
## Type " IA "



Item	Model	Material	$\phi D$ (MainBall)	A	G (PCD)	J	h	H	$\phi a$	Load Capacity	Max Load	Weight
1	IA-19A	Steel Chrome	$\phi 19.05$	$\phi 40$	$\phi 55$	$\phi 67$	19.5	26	5.5	80 kgs	100 kgs	220 g
2	IA-19B	SUS304								80 kgs	100 kgs	220 g
3	IA-25A	Steel Chrome	$\phi 25.4$	$\phi 45$	$\phi 58$	$\phi 72$	23.5	32	6.5	130 kgs	150 kgs	320 g
4	IA-25B	SUS304								130 kgs	150 kgs	320 g
5	IA-38A	Steel Chrome	$\phi 38.1$	$\phi 60$	$\phi 80$	$\phi 95$	34	47	6.5	200 kgs	250 kgs	810 g
6	IA-38B	SUS304								200 kgs	250 kgs	810 g

# Ball Transfer Units ลูกบอลลำเลียง

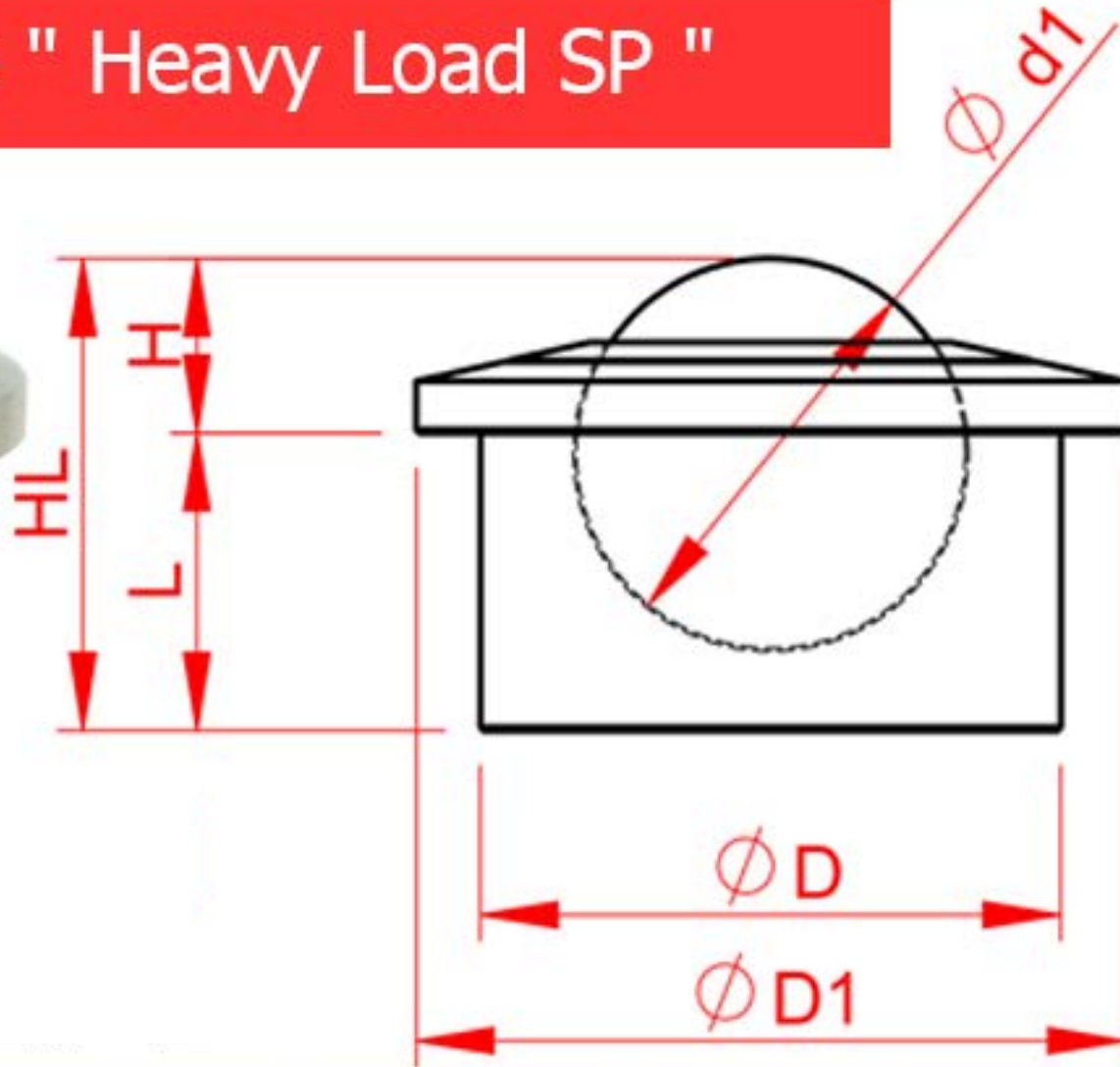
## Type " IS "



Item	Model	Material	$\Phi D$ (MainBall)	A	G (PCD)	J	h	H	$\Phi a$	Load Capacity	Max Load	Weight
1	IS-10A	Steel Chrome	$\Phi 9.525$	$\Phi 23$	$\Phi 35$	$\Phi 45$	15	17	4	35 kgs	40 kgs	60 g
2	IS-10B	SUS304								35 kgs	40 kgs	60 g
3	IS-13A	Steel Chrome	$\Phi 12.7$	$\Phi 23$	$\Phi 40$	$\Phi 50$	16.5	20	4	45 kgs	50 kgs	90 g
4	IS-13B	SUS304								45 kgs	50 kgs	90 g
5	IS-19A	Steel Chrome	$\Phi 19.05$	$\Phi 41$	$\Phi 56$	$\Phi 65$	26	30	4.5	90 kgs	100 kgs	250 g
6	IS-19B	SUS304								90 kgs	100 kgs	250 g

# Ball Transfer Units ลูกบอลลำเลียง

## Type " Heavy Load SP "



Item	Model	Material	$\Phi d1$ (MainBall)	$\Phi D$	$\Phi D1$	L	H	HL	Load Capacity	Max Load	Weight
1	SP-8	Steel	$\Phi 8$	$\Phi 15$	$\Phi 20$	6.8	4.3	11.1	8 kgs	15 kgs	15 g
2	SP-12	Steel	$\Phi 12$	$\Phi 18$	$\Phi 23$	8.2	7.3	15.5	25 kgs	30 kgs	28 g
3	SP-15	Steel	$\Phi 15.875$	$\Phi 24$	$\Phi 31$	11	10	21	40 kgs	50 kgs	64 g
4	SP-22	Steel	$\Phi 22.23$	$\Phi 36$	$\Phi 45$	21	10	31	140 kgs	160 kgs	214 g
5	SP-25	Steel	$\Phi 25.4$	$\Phi 38$	$\Phi 45$	17	14	31	180 kgs	200 kgs	216 g
6	SP-30	Steel	$\Phi 30.16$	$\Phi 45$	$\Phi 55$	22.5	14	36.5	250 kgs	300 kgs	368 g
7	SP-45	Steel	$\Phi 45$	$\Phi 62$	$\Phi 75$	35	19	54	450 kgs	500 kgs	1028 g
8	SP-60	Steel	$\Phi 60$	$\Phi 100$	$\Phi 117$	48	30	78	800 kgs	1200 kgs	3942 g