

- Recorder
- Flow
- Pressure
- Temp
- Analyzer
- Level

Datasheet
Conductivity sensor
GOT-TDS8002



SENSTEX

Committed to process automation solution

<https://gotcorp.co.th>

Digital conductivity sensor GOT-TDS8002

TDS8002 conductivity and salinity digital sensor is designed for aquaculture, river sewage, seawater salinity, environmental protection engineering and other industries. It is equipped with a special quadrupole alloy sensor for breeding, which can be used to measure the changes of conductivity and salinity in the aqueous system within the range of (0~500) mS/cm. It has a standard RS485 Modbus RTU protocol interface function, which can communicate with the host computer remotely.

Applications

- Aquaculture
- River sewage
- Seawater salinity
- Environmental protection engineering



Features

- Isolated power supply design, data stability, strong anti-interference ability
- 4-pole stainless steel, corrosion-resistant alloy conductivity/salinity sensor
- Shell material: POM (wet part)
- Corrosion resistance, high stability, Suitable for continuous detection of fresh water and sea water
- Built-in temperature sensor

GOT-TDS8002

Parameters

Measure	Salinity /Conductivity/TDS
Measurement range	Conductivity:(100~60000) μ S/cm; (0.1~500.00) mS/cm; TDS: (0~9999) ppm; salinity: (0~100.00) ppt
Display resolution	1 μ S/cm; 0.01mS/cm; 1ppm; 0.01ppt

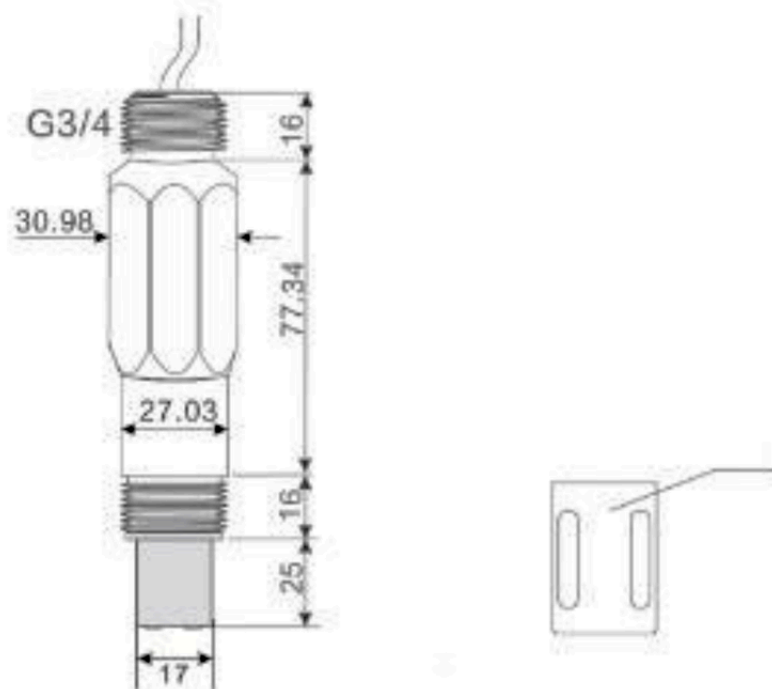
Accuracy	1.5%FS
Calibration period	>3 months
Body material	POM (wet part)
Cable length	5m as standard, other lengths are optional
Display resolution	1 μ S/cm; 0.01mS/cm; 1ppm;0.01ppt
Temperature	0~60°C
Accuracy	0.1°C
Sensor type	Quadrupole conductivity sensor
Measurement	<1.5%F.S, 2%reading, take the smaller of both
accuracy Accuracy	\pm 0.5°C
Temperature compensation	Automatic compensation coefficient:2%/°C,coefficient adjustable(default compensating temperature is 25.0°C)
Communication	RS485
Communication protocol	MODBUS-RTU
Communication method	Baud rate 9600,8,1, N ID:1-255 default ID:1 (0x01)
Calibration and parameter setting mode	RS485 remote setting
Power supply	12 VDC
Power consumption	30mA @12 VDC

Wiring

Color	Descripti
Red	on V+
Black	GND
Green	485A
White	485B

Note: Please check the color and wiring definition carefully, if the wiring is wrong, the sensor may be damaged.

Dimension



Ordering code

GOT-TDS-8002-HMIEIDICS5							Description
GOT-TDS8002	-	-	-	-	-	-	Conductivity:(100`60000) μ S/cm; (0.1`500.00) mS/cm; TDS: (0`9999) ppm Salinity: (0`100.00) ppt Temperature range:(0~60) $^{\circ}$ C, Accuracy \pm 0.5 $^{\circ}$ C (\pm 0.2 $^{\circ}$ C optional)
Serial number TDS-8002							
Material	HMI						POM (wet part)
Electrode material			EI				HC
Communication method			DI				RS485, MODBUS-RTU
Cable length				C55			5m(standard)
				CSxx			Customized



Great Oriental Corporation Co., Ltd.

02 408 8661-2

062 665 9797 / 088 790 4383

061 175 4646

saleteam1@gotcorp.co.th

saleteam2@gotcorp.co.th

www.gotcorp.co.th

www.wastex.co.th

